

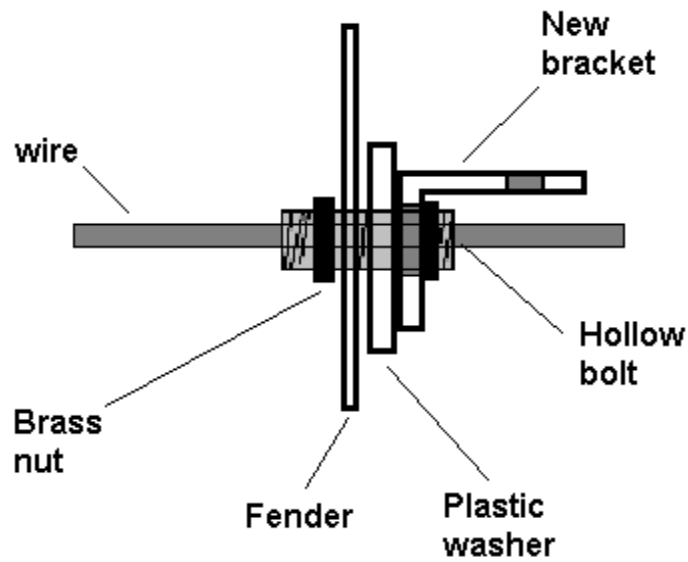
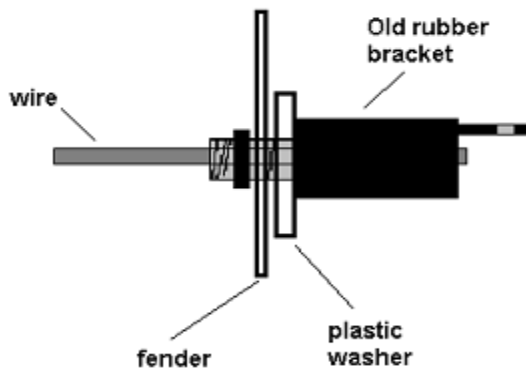
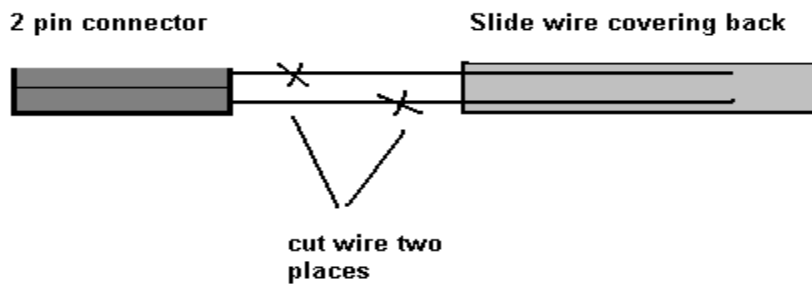
# Marauder rear turn signal relocating instructions

1. Disconnect the Negative lead to the battery.
2. Remove the right and left, rear fender chrome frame covers.
3. Locate the left and right two wire connectors for the turn signals and unplug them.

## **From here do one side first then the other**

4. Remove the screw holding the turn signal to the rubber bracket.
5. Carefully unrout the wires to the turn signals and **(remember the way they were routed)**.
6. Carefully pull the wires through the rubber mounting bracket. Until the connector is up to the inside hole in the bracket.
7. Using a deep socket, remove the nut holding the rubber bracket to the fender and remove the whole turn signal assembly.
8. Slide the covering on the wires all the way to the turn signal. **(See Figure 1)**
9. Then cut the wires at the connector so that one is longer than the other. That way when you reconnect the wires you won't mix them up **(leave enough wire at the connector so you can strip it back and either solder or use the crimp on connectors)**
10. Slide the wires through the rubber bracket and set the rubber bracket aside.
11. Install the new bracket leaving it a little loose. **( See Figure 2 )**
12. Mount the turn signal to the new bracket and align the turn signal. Remove the turn signal and finish tightening the inside nut being careful not to move the bracket or strip the nut.
13. Mount the turn signal to the new bracket and install the holding screw
14. Route the wire through the frame and fender the same way you removed it.
15. Carefully strip the wire ends and either use solder or the crimp on connectors to install the two pin connector to the wire and then plug in the turn signal connector.
16. Do the other side .
17. When finished reconnect the battery cable and test your turn signals.
18. Install the chrome frame covers and your done. **( be careful not to pinch the turn signal and tail light wires)**

**Figure 1. Connector end of the turn signal wires**



**Figure 2. New bracket assembly**